



*The Name for  
Attenuators*

ALAN MODEL 50CA1-15 SMA PL PANEL MOUNT CONTINUOUSLY VARIABLE ATTENUATOR ELECTRICAL SPECIFICATIONS	
FREQUENCY RANGE	DC – 1 GHz
IMPEDANCE	50 Ohms
ATTENUATION RANGE	0-15 dB minimum
INSERTION LOSS	DC – 500 MHz: 0.5 dB Maximum 500 – 1000 MHz: 1.0 dB Maximum
MAXIMUM SWR	DC – 500 MHz: 1.5:1 500 – 1000 MHz: 2.3:1
AVERAGE POWER	0.25 Watt
CONNECTORS	SMA Female
RESETTABILITY	0.2 dB
DRIVE	Screwdriver adjustment with locking nut
MOUNTING CONFIGURATION	Panel Mount
TEST DATA	Supplied at no charge when requested prior to shipment. Please allow extra 1-3 business days for shipping.
COUNTRY OF ORIGIN	USA
RoHS STATUS	<b>RoHS Compliant</b> Available in a Non-RoHS configuration as a build to order product. Please contact factory to order.

# Alan

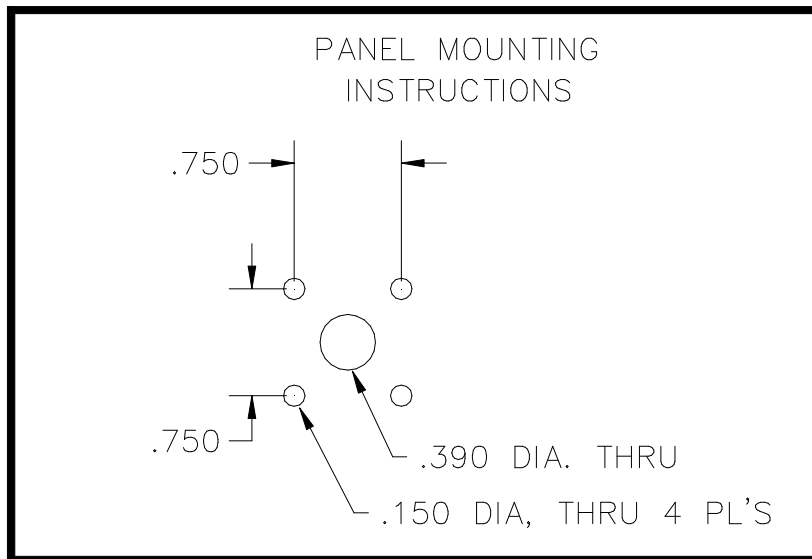
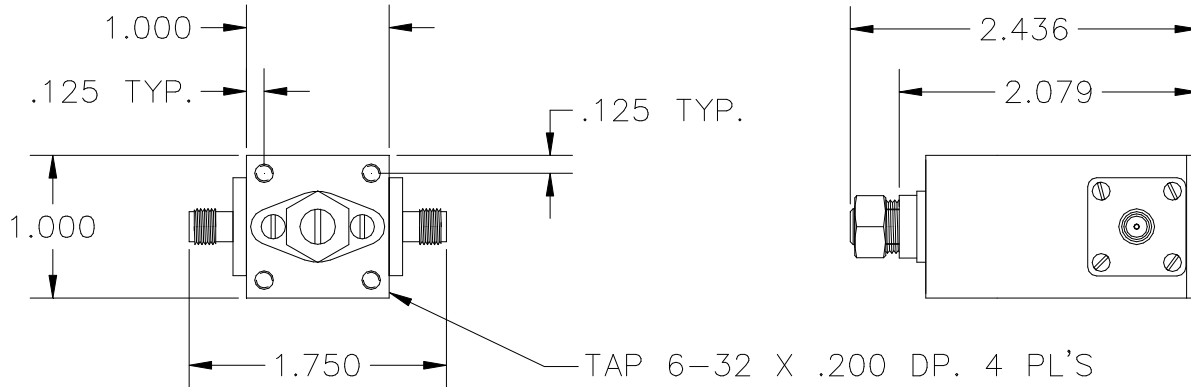
*The Name for Attenuators*

Alan Industries, Inc. • 745 Greenway Drive • Columbus, Indiana 47201 • USA  
800-423-5190 or 812-372-8869 • Fax: 812-372-5909  
www.alanindustries.com • sales@alanindustries.com



**The Name for  
Attenuators**

### PHYSICAL DIMENSIONS



# Alan

**The Name for Attenuators**

Alan Industries, Inc. • 745 Greenway Drive • Columbus, Indiana 47201 • USA  
800-423-5190 or 812-372-8869 • Fax: 812-372-5909  
www.alanindustries.com • sales@alanindustries.com