



***The Name for  
Attenuators***

ALAN MODEL 50FL8 N RF FUSE ELECTRICAL SPECIFICATIONS	
FREQUENCY RANGE	DC – 1.5 GHz
IMPEDANCE	50 Ohms
BREAKDOWN POINT	+29 dBm
FUSE BLOW TIME	100% of Breakdown Point: 4 Hours Minimum 200% of Breakdown Point: 1 Second Maximum
INSERTION LOSS	DC – 500 MHz: 0.5 dB 500 – 1000 MHz: 0.7 dB 1000-1500 MHz: 1.0 dB
MAXIMUM SWR	DC – 500 MHz: 1.4:1 500 – 1000 MHz: 1.6:1 1000-1500 MHz: 1.8:1
CONNECTORS	Removable N Male / N Female
FUSE ELEMENTS	Supplied with a total of 11 fuse elements
REPLACEMENT FUSE ELEMENTS	Order Alan Model CM-018
TEST DATA	Not available
COUNTRY OF ORGIN	USA
RoHS STATUS	<b>RoHS Compliant</b> Available in a Non-RoHS configuration as a build to order product. Please contact factory to order.

# Alan

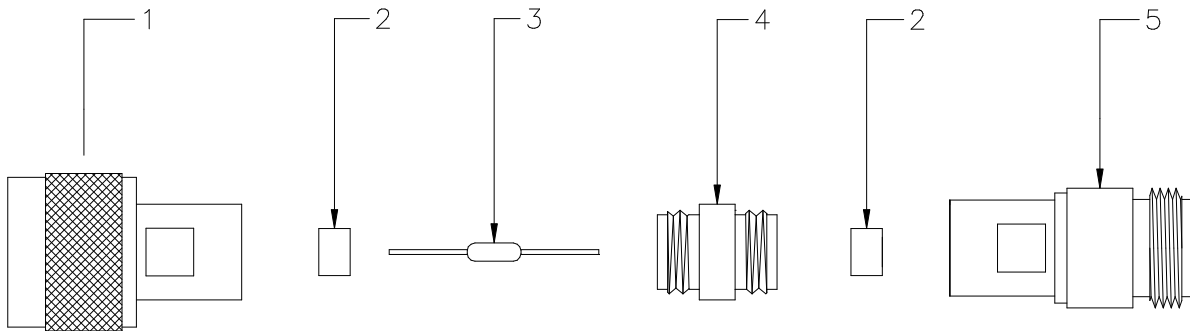
***The Name for Attenuators***

Alan Industries, Inc. • 745 Greenway Drive • Columbus, Indiana 47201 • USA  
800-423-5190 or 812-372-8869 • Fax: 812-372-5909  
www.alanindustries.com • sales@alanindustries.com



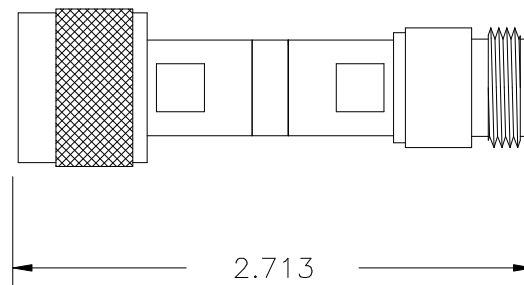
**The Name for  
Attenuators**

## ASSEMBLY INSTRUCTIONS / PHYSICAL DIMENSIONS



### TYPICAL PARTS LIST

1. MALE CONNECTOR
2. SPACER
3. FUSE ELEMENT
4. COUPLING
5. FEMALE CONNECTOR



# Alan

**The Name for Attenuators**

Alan Industries, Inc. • 745 Greenway Drive • Columbus, Indiana 47201 • USA  
800-423-5190 or 812-372-8869 • Fax: 812-372-5909  
www.alanindustries.com • sales@alanindustries.com