



***The Name for
Attenuators***

ALAN MODEL 50TTL127 SMA TTL LOGIC PROGRAMMABLE ATTENUATOR ELECTRICAL SPECIFICATIONS	
FREQUENCY RANGE	DC – 1.5 GHz
IMPEDANCE	50 Ohms
ATTENUATION RANGE	0 – 127 dB
ATTENUATION STEPS	1, 2, 4, 8, 16, 32, 64 dB
ATTENUATION ACCURACY (Overall)	DC – 500 MHz: 0-31 dB: ±0.5 dB 32-127 dB: ±1.0 dB
	500-1000 MHz: 0-31 dB: ±0.7 dB 32-127 dB: ±1.5 dB
	1000-1500 MHz: 0-31 dB: ±1.0 dB 32-127 dB: ±2.0 dB
INSERTION LOSS	4.0 dB maximum
MAXIMUM SWR	1.5:1
AVERAGE POWER	0.5 Watt
CONNECTORS	SMA Female
DC SUPPLY	+26 VDC @ 136 ma
TTL LOGIC	TTL Positive Logic
SWITCHING SPEED	6 milliseconds maximum
SWITCH LIFE	10,000,000 selections per bit
TEST DATA	Supplied at no charge when requested prior to shipment. Please allow extra 1-3 business days for shipping.
COUNTRY OF ORIGIN	USA
RoHS STATUS	RoHS Compliant Available in a Non-RoHS configuration as a build to order product. Please contact factory to order.

Alan

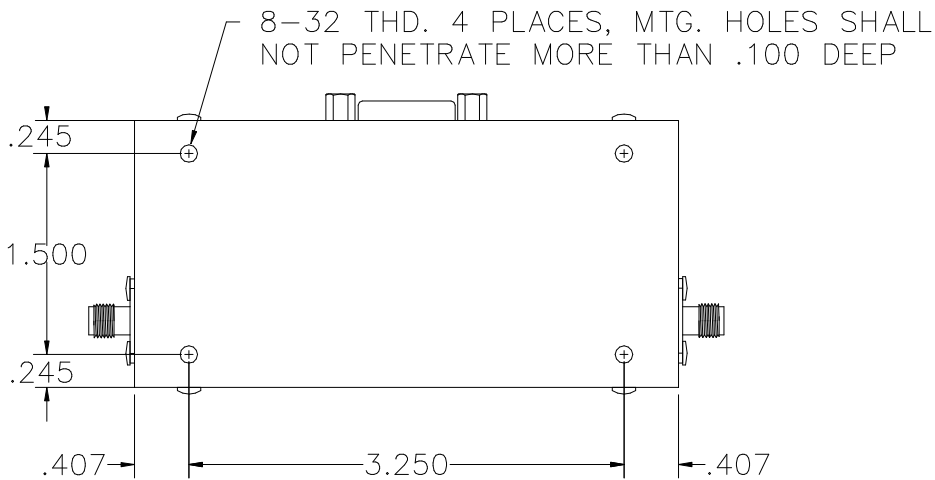
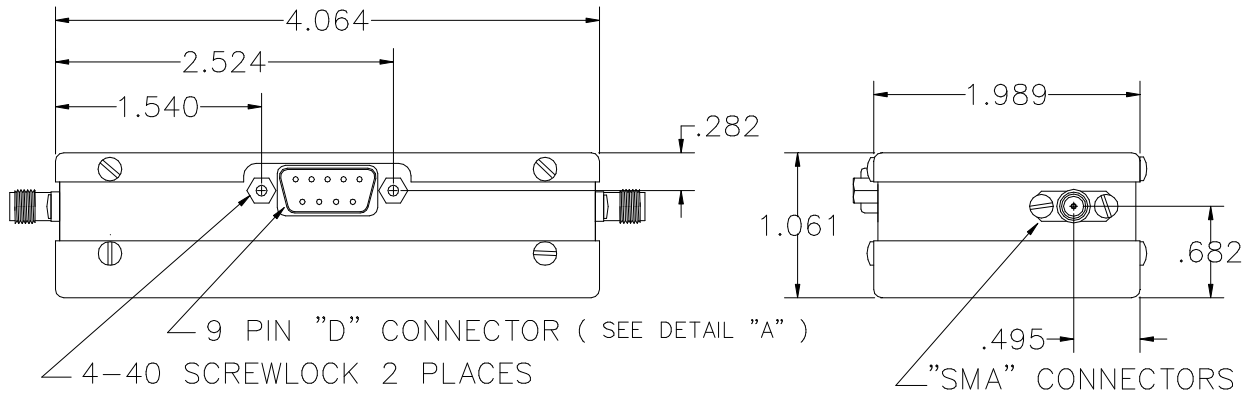
The Name for Attenuators

Alan Industries, Inc. • 745 Greenway Drive • Columbus, Indiana 47201 • USA
800-423-5190 or 812-372-8869 • Fax: 812-372-5909
www.alanindustries.com • sales@alanindustries.com



**The Name for
Attenuators**

PHYSICAL DIMENSIONS



DETAIL "A"	
PIN CONFIGURATION	
1	- 1dB
2	- 2dB
3	- 4dB
4	- 8dB
5	- 16dB
6	- 32dB
7	- 64dB
8	- GROUND
9	- +26VDC

Alan

The Name for Attenuators

Alan Industries, Inc. • 745 Greenway Drive • Columbus, Indiana 47201 • USA
800-423-5190 or 812-372-8869 • Fax: 812-372-5909
www.alanindustries.com • sales@alanindustries.com