



***The Name for
Attenuators***

ALAN MODEL 50TTL63 SMA TTL LOGIC PROGRAMMABLE ATTENUATOR ELECTRICAL SPECIFICATIONS	
FREQUENCY RANGE	DC – 1.5 GHz
IMPEDANCE	50 Ohms
ATTENUATION RANGE	0 – 63 dB
ATTENUATION STEPS	1, 2, 4, 8, 16, 32 dB
ATTENUATION ACCURACY (Overall)	DC – 500 MHz: ± 0.5 dB 500-1000 MHz: ± 0.75 dB 1000-1500 MHz: ± 1.0 dB
INSERTION LOSS	3.5 dB maximum
MAXIMUM SWR	1.5:1
AVERAGE POWER	0.5 Watt
CONNECTORS	SMA Female
DC SUPPLY	+26 VDC @ 102 ma
TTL LOGIC	TTL Positive Logic
SWITCHING SPEED	6 milliseconds maximum
SWITCH LIFE	10,000,000 selections per bit
TEST DATA	Supplied at no charge when requested prior to shipment. Please allow extra 1-3 business days for shipping.
COUNTRY OF ORIGIN	USA
RoHS STATUS	RoHS Compliant Available in a Non-RoHS configuration as a build to order product. Please contact factory to order.

Alan

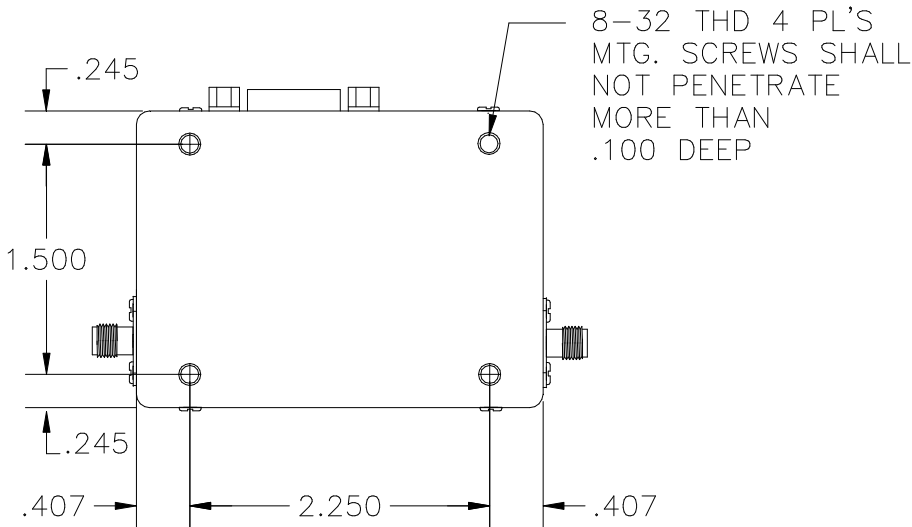
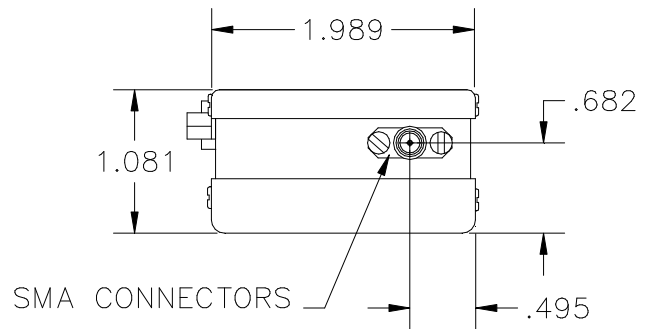
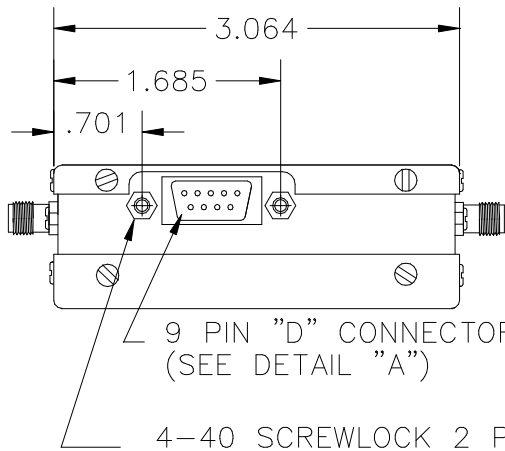
The Name for Attenuators

**Alan Industries, Inc. • 745 Greenway Drive • Columbus, Indiana 47201 • USA
800-423-5190 or 812-372-8869 • Fax: 812-372-5909
www.alanindustries.com • sales@alanindustries.com**



**The Name for
Attenuators**

PHYSICAL DIMENSIONS



DETAIL "A"
PIN CONFIGURATION

- 1-1dB
- 2-2dB
- 3-4dB
- 4-8dB
- 5-16dB
- 6-32dB
- 7-OPEN
- 8-GROUND
- 9-+26VDC

Alan

The Name for Attenuators

Alan Industries, Inc. • 745 Greenway Drive • Columbus, Indiana 47201 • USA
800-423-5190 or 812-372-8869 • Fax: 812-372-5909
www.alanindustries.com • sales@alanindustries.com